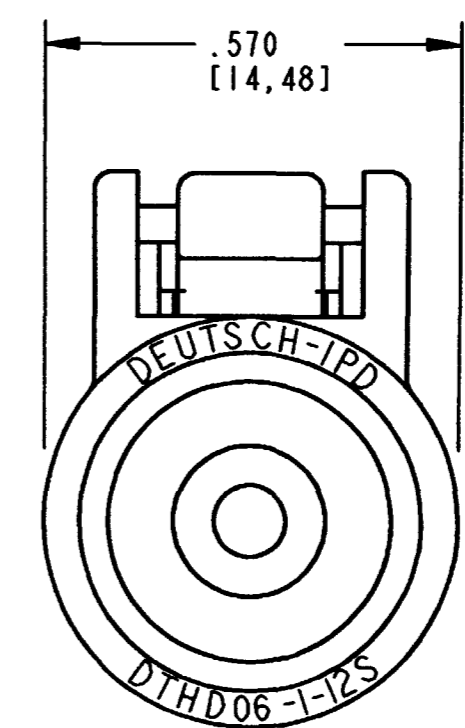
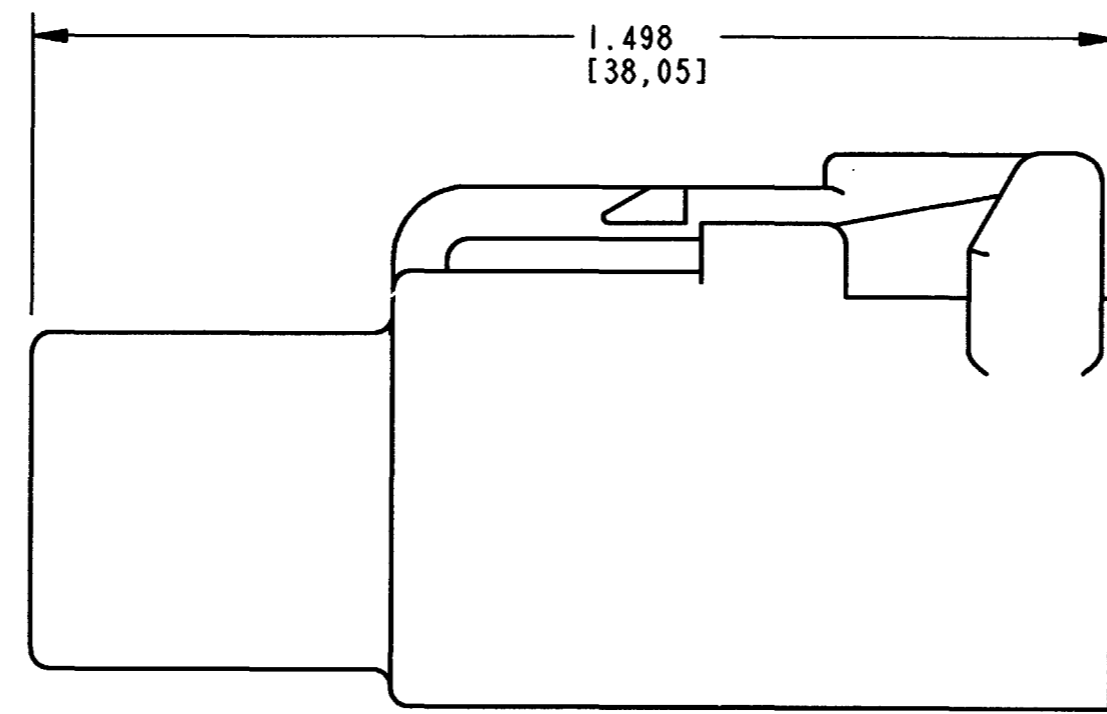
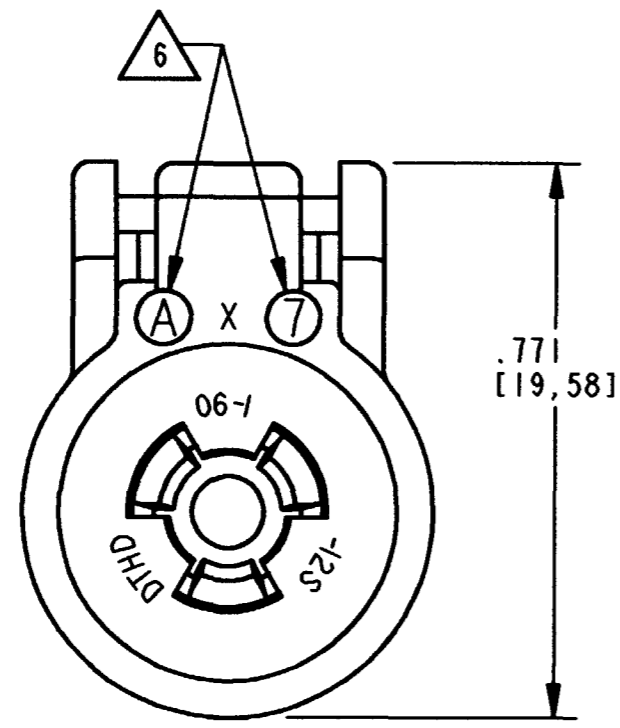


REV
A DTHD06-1-12S

REVISIONS			
SYM	DESCRIPTION	DATE	APPROVED
NC	NEW RELEASE PER E.O. A14636	12-6-94	R.D.R.
A	REVISED PER E.O. P18604	6/21/04	Dm



6 DATE CODE: MONTH IS REPRESENTED BY SEQUENTIAL ALPHA CHARACTERS. EX: A = JANUARY.
YEAR IS REPRESENTED BY LAST NUMERIC DIGIT. EX: 2 = 2002.

5 MATERIAL: HOUSING: PLASTIC, GROMMET: RUBBER.

4 THIS PLUG MATES WITH DTHD04-1-12P-**** RECEPTACLE.
(**** = ALL MODIFICATIONS)

3 FOR CONTACT AND WIRE PERFORMANCE AND APPLICATION CHARACTERISTIC
SEE ENVELOPE DRAWING 0425-015-0000.

2 DIMENSION TOLERANCE: $\pm .025$ [.64].

1 DIMENSIONS ARE IN INCHES [mm].

NOTES: UNLESS OTHERWISE SPECIFIED.

WIRE INSULATION DIA			
CONTACT SIZE	MINIMUM O.D.	MAXIMUM O.D.	WIRE RANGE [mm ²] REF. ONLY
12	.134 [3.40]	.170 [4.32]	12-14 AWG [3.0-2.0]

SIGNATURE & DATE	
DR	V. TOMSA JUN-8-04
CHK	<i>[Signature]</i>
PE	<i>[Signature]</i> JUN-11-04
APPD	<i>[Signature]</i> 6/21/04
SCALE	4:1

PLUG
#12 HD CONTACT
DTHD SERIES
COLOR BLACK

ENVELOPE

CP	MATL. CODE
	The Deutch Company DEUTSCH I.P.D. 3850 INDUSTRIAL AVE. HEMET, CALIF. 92545
B	DTHD06-1-12S
DWG SIZE 11139	SHEET OF